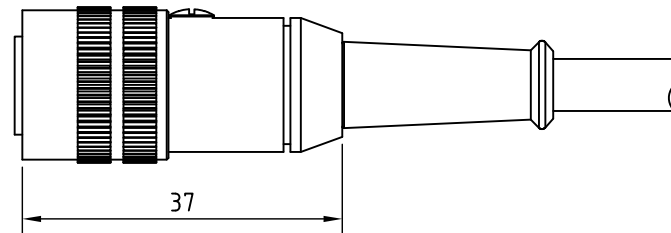
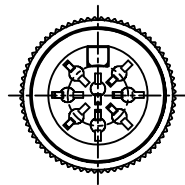
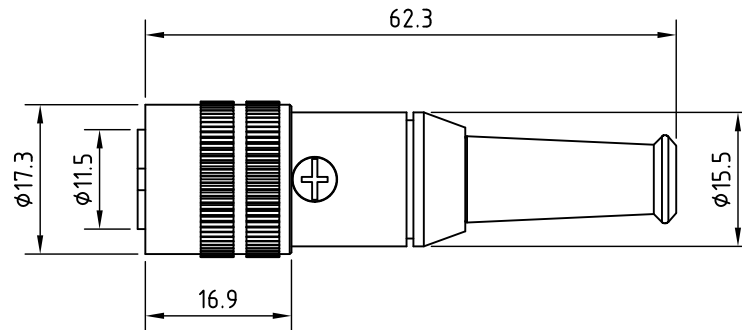


REV.	Description	Date
1	upgrade drawing	2012/11/14



Specification:

Rating: 100V AC 1A max.

Contact resistance:

Pin 30mΩ max.

Shell 50mΩ max.

Insulation resistance:

100MΩ at 500V DC min.

Voltage withstand:

250V AC for 1 minute

RoHS

TOLERANCE X±0.5 X.X±0.3

7	GND contactor	Phosphor bronze	Nickel plated
6	Terminal	Copper	Silver plated
5	Housing	ABS	
4	Strain boot	PVC	
3	Setscrew	Steel	Nickel plated
2	T Holder	Steel	Nickel plated
1	Shell cover	Zn Alloy	Nickel plated
Item	Description	Material	Treat & Remark

CONTACT ARRANGEMENT FRONT VIEW (FEMALE)	3P	4P	5AP	5BP	6P	7P	8AP	8BP



Unicable Co., Ltd. 國陽電業有限公司

5F., No. 111-33, Sec. 4, San Ho Road, San Chung City, Taiwan, R.O.C.

http://www.unicable.com.tw TEL:+886-2-2286-2122 FAX:+886-2-2286-1010

DATE

DWN

CHK

2016/10/7

GINA

PART NO.

REV.

UT-AS984-XP

1

ITEM

Push Lock DIN Connector Field Assembled Cable

UNIT

MM